

PRODUCT TECHNICAL SHEET

Collection : **RETRO**

Ref. : **6220.11.56**

Porte-papier toilette de réserve
Reserve toiletpapier houder
Reserve toilet paper holder

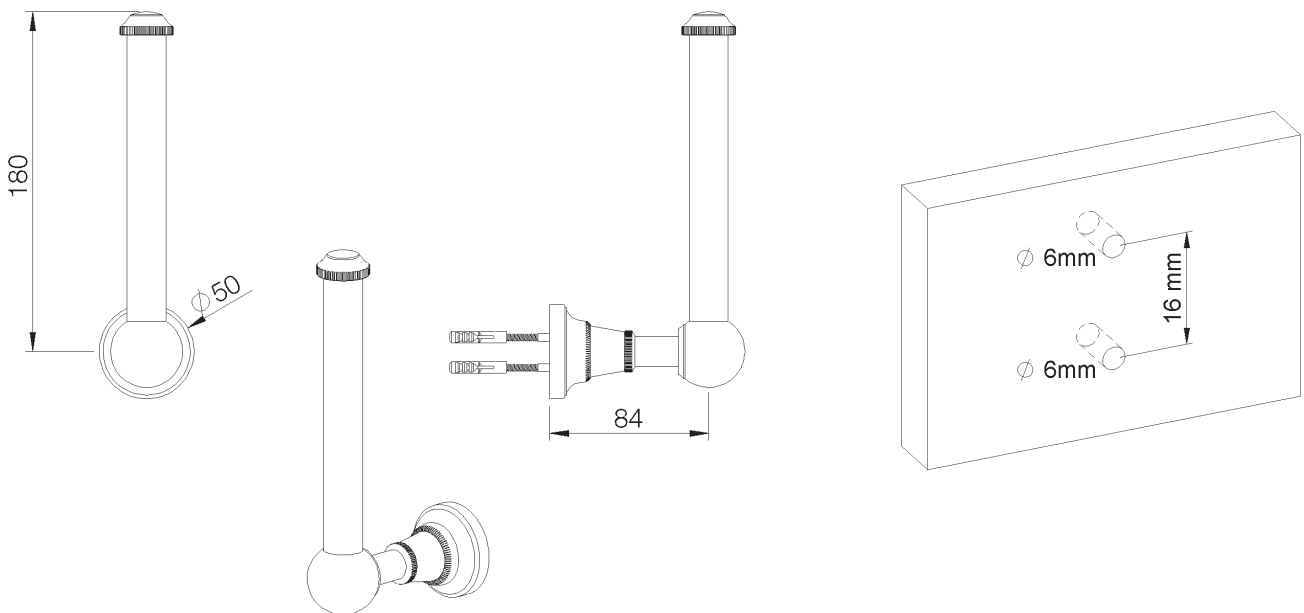
Picture

Product details

Weight : 1,07 kg



Technical drawing



RAO.V01